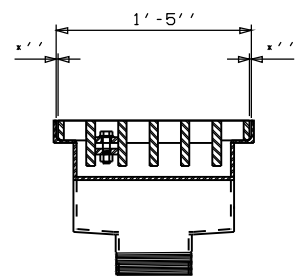
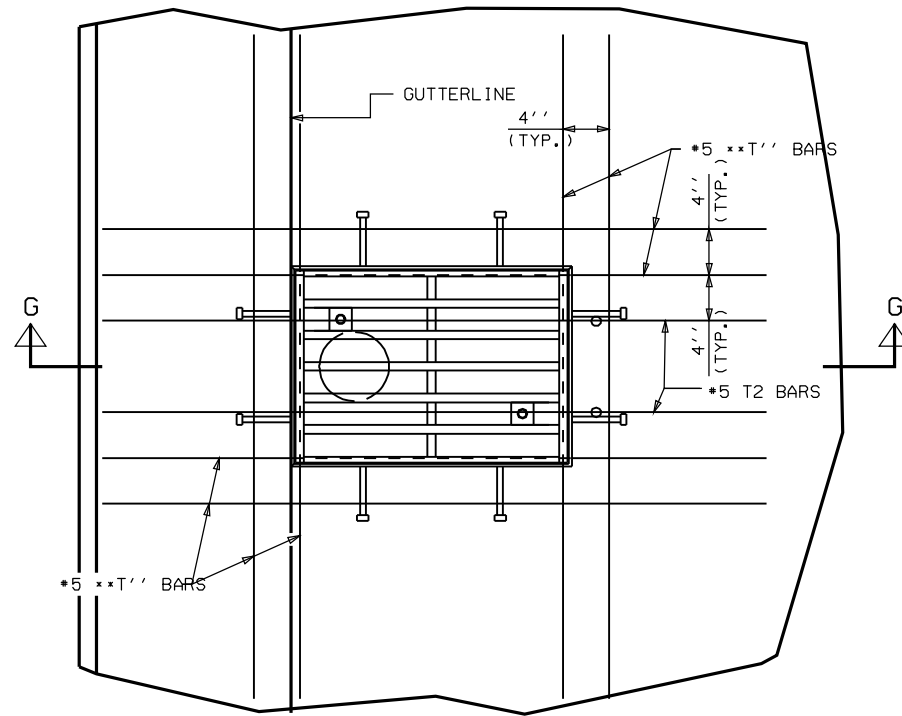


ELEVATION VIEW OF GRATE AND FRAME IN SECTION A-A

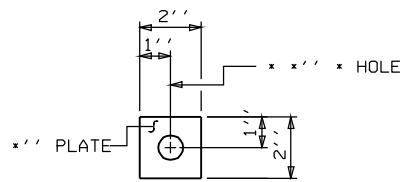


ELEVATION VIEW OF GRATE AND FRAME IN SECTION B-B



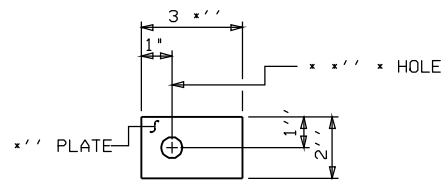
PLAN VIEW OF SLAB

SLAB REINFORCEMENT NOT SHOWN FOR CLARITY



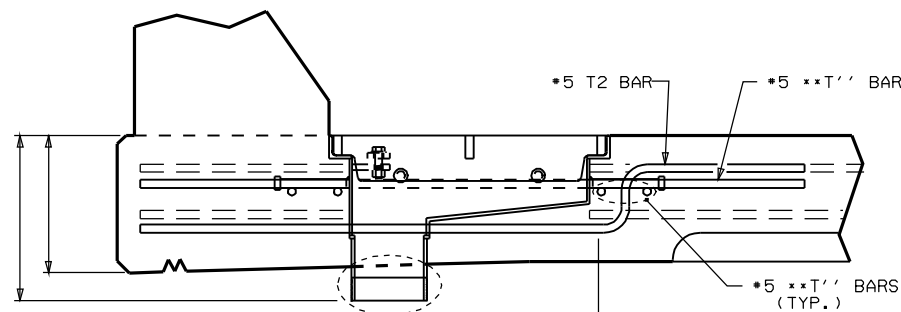
DETAIL \*\*A\*\*

HOLD-DOWN PLATE FOR GRATE



DETAIL \*\*B\*\*

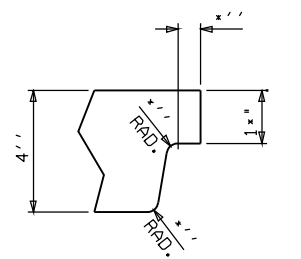
HOLD-DOWN PLATE FOR FRAME



FOR ADDITIONAL DRAINAGE ATTACHMENTS, SEE DRAIN CONNECTOR DETAILS (OR COLLECTION SYSTEM DETAILS).

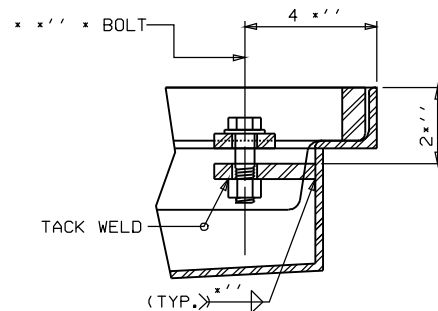
ELEVATION VIEW OF SLAB AND SCUPPER IN SECTION G-G

SLAB REINFORCEMENT NOT SHOWN FOR CLARITY



DETAIL \*\*C\*\*

END CUT OF 4" X 4" PLATE



DETAIL \*\*D\*\*

4" X 4" HOLD-DOWN BOLT

PROJECT NO. \_\_\_\_\_

\_\_\_\_\_ COUNTY

STATION: \_\_\_\_\_

SHEET 2 OF 2

STATE OF NORTH CAROLINA  
DEPARTMENT OF TRANSPORTATION  
RALEIGH  
STANDARD  
BRIDGE SCUPPER  
DETAILS

ASSEMBLED BY: _____	DATE: _____
CHECKED BY: _____	DATE: _____
DRAWN BY: LES 2/98	ADDED 7/17/98
CHECKED BY: RDR 4/98	REV. 8/16/99R
	REV. 5/1/06
	RWW/LES
	TLA/GM

REVISIONS						SHEET NO.
NO.	BY:	DATE:	NO.	BY:	DATE:	
1			3			TOTAL SHEETS
2			4			